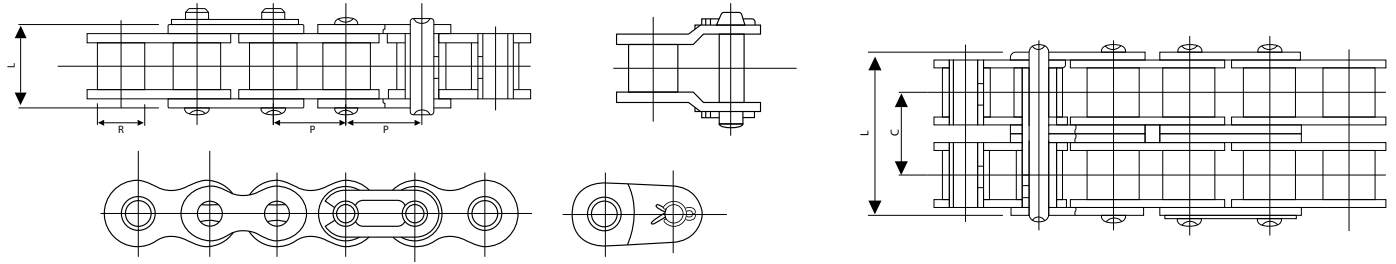
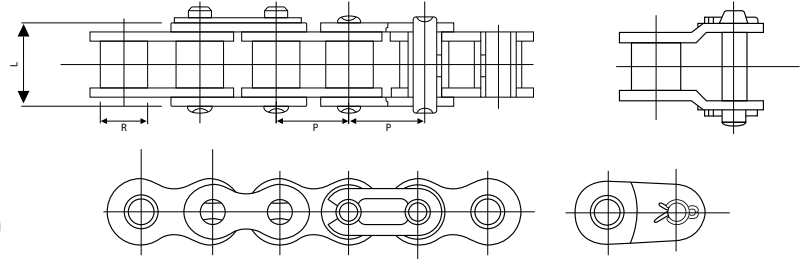


ROLLER CHAIN SINGLE, DOUBLE

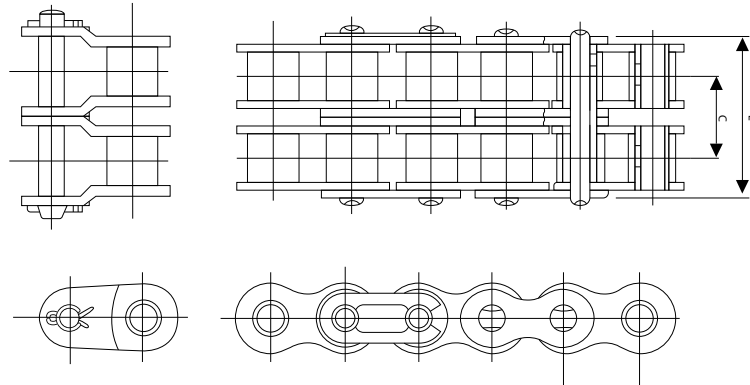


| Chain | | Pitch | | Width Between Inner Plates | | Roller Diam. | | Pin Diam. | | Pin Length | | Transverse Pitch | | Breaking Load | | Weight | |
|---------|-------------|-------|--------|----------------------------|-------|--------------|-------|-----------|-------|------------|--------|------------------|-------|---------------|-------|--------|-------|
| ANSI NO | DIN ISO Nr. | P | | W min | | Pm | | D max. | | L Max. | | C | | mim | min | Lb/ft | Kg/m |
| | | in | mm | in | mm | in | mm | in | mm | in | mm | in | mm | Lb | Kg | | |
| | | 03 | | 0.197 | 5.00 | 0.098 | 2.50 | 0.126 | 3.20 | 0.059 | 1.49 | 0.291 | 7.40 | | | | |
| 04 | | 0.236 | 6.00 | 0.110 | 2.80 | 0.157 | 4.00 | 0.073 | 1.85 | 0.291 | 7.40 | | | 660 | 300 | 0.08 | 0.11 |
| 05B | 05B | 0.315 | 8.00 | 0.118 | 3.00 | 0.197 | 5.00 | 0.091 | 2.31 | 0.34 | 8.60 | | | 1000 | 460 | 0.11 | 0.17 |
| 06B | 06B | 3/8 | 9.525 | 0.225 | 5.72 | 0.250 | 6.35 | 0.129 | 3.28 | 0.53 | 13.50 | | | 2000 | 910 | 0.28 | 0.42 |
| 081 | | 1/2 | 12.70 | 0.130 | 3.30 | 0.305 | 7.75 | 0.144 | 3.66 | 0.40 | 10.20 | | | 1800 | 820 | 0.19 | 0.28 |
| 082 | | 1/2 | 12.70 | 0.094 | 2.38 | 0.305 | 7.75 | 0.144 | 3.66 | 0.32 | 8.20 | | | 2200 | 1000 | 0.17 | 0.26 |
| 083 | | 1/2 | 12.70 | 0.192 | 4.88 | 0.305 | 7.75 | 0.161 | 4.09 | 0.51 | 12.90 | | | 2600 | 1200 | 0.28 | 0.42 |
| 084 | | 1/2 | 12.70 | 0.192 | 4.88 | 0.305 | 7.75 | 0.161 | 4.09 | 0.58 | 14.80 | | | 3500 | 1600 | 0.40 | 0.59 |
| 085 | | 1/2 | 12.70 | 0.251 | 6.38 | 0.306 | 7.77 | 0.141 | 3.58 | 0.55 | 14.80 | | | 1500 | 680 | 0.61 | 0.44 |
| 08B | 08B | 1/2 | 12.70 | 0.305 | 7.75 | 0.335 | 8.51 | 0.175 | 4.45 | 0.67 | 17.00 | | | 4000 | 1820 | 0.44 | 0.65 |
| 10B | 10B | 5/8 | 15.875 | 0.380 | 9.65 | 0.40 | 10.16 | 0.200 | 5.08 | 0.77 | 19.60 | | | 5000 | 2270 | 0.61 | 0.91 |
| 12B | 12B | 3/4 | 19.05 | 0.460 | 11.68 | 0.475 | 12.07 | 0.225 | 5.72 | 0.89 | 22.70 | | | 6500 | 2950 | 0.83 | 1.23 |
| 16B | 16B | 1.000 | 25.40 | 0.670 | 17.02 | 0.625 | 15.88 | 0.326 | 8.28 | 1.42 | 36.10 | | | 9500 | 4310 | 1.73 | 2.57 |
| 20B | 20B | 1 1/4 | 31.75 | 0.770 | 19.56 | 0.75 | 19.05 | 0.401 | 10.19 | 1.70 | 43.20 | | | 14500 | 6580 | 2.55 | 3.80 |
| 24B | 24B | 1 1/2 | 38.10 | 1.00 | 25.40 | 1.00 | 25.40 | 0.576 | 14.63 | 2.10 | 53.40 | | | 22000 | 9980 | 4.73 | 7.04 |
| 28B | 28B | 1 3/4 | 44.45 | 1.220 | 30.99 | 1.10 | 27.94 | 0.626 | 15.90 | 2.56 | 65.10 | | | 29000 | 13160 | 5.57 | 8.30 |
| 32B | 32B | 2 | 50.80 | 1.220 | 30.99 | 1.15 | 29.21 | 0.701 | 17.81 | 2.56 | 67.40 | | | 38000 | 17240 | 7.05 | 10.50 |
| 05B-2 | 05B-2 | 0.315 | 8.00 | 0.118 | 3.00 | 0.197 | 5.00 | 0.091 | 2.31 | 0.57 | 14.30 | 0.222 | 5.64 | 1750 | 800 | 0.24 | 0.36 |
| 06B-2 | 06B-2 | 3/8 | 9.525 | 0.225 | 5.72 | 0.250 | 6.35 | 0.129 | 3.28 | 0.94 | 23.80 | 0.403 | 10.24 | 3800 | 1730 | 0.52 | 0.78 |
| 08B-2 | 08B-2 | 1/3 | 12.70 | 0.305 | 7.75 | 0.335 | 8.51 | 0.175 | 4.45 | 1.22 | 31.00 | 0.548 | 13.92 | 7000 | 3180 | 0.91 | 1.35 |
| 10B-2 | 10B-2 | 5/8 | 15.875 | 0.380 | 9.65 | 0.40 | 10.16 | 0.200 | 5.08 | 1.43 | 36.20 | 0.653 | 16.59 | 10000 | 4540 | 1.24 | 1.85 |
| 12B-2 | 12B-2 | 3/4 | 19.05 | 0.460 | 11.68 | 0.475 | 12.07 | 0.225 | 5.72 | 1.66 | 42.20 | 0.766 | 19.46 | 13000 | 5900 | 1.68 | 2.50 |
| 16B-2 | 16B-2 | 1 | 25.40 | 0.670 | 17.02 | 0.625 | 15.88 | 0.326 | 8.28 | 2.68 | 68.00 | 1.255 | 31.88 | 19000 | 8620 | 3.63 | 5.40 |
| 20B-2 | 20B-2 | 1 1/4 | 31.75 | 0.770 | 19.56 | 0.750 | 19.05 | 0.401 | 10.19 | 3.14 | 79.70 | 1.435 | 36.45 | 29000 | 13160 | 4.83 | 7.20 |
| 24B-2 | 24B-2 | 1 1/2 | 38.10 | 1.00 | 25.40 | 1.00 | 25.40 | 0.576 | 14.63 | 4.01 | 101.80 | 1.904 | 48.36 | 44000 | 19960 | 9.06 | 13.50 |
| 28B-2 | 28B-2 | 1 3/4 | 44.45 | 1.220 | 30.99 | 1.10 | 27.94 | 0.626 | 15.90 | 4.91 | 124.70 | 2.345 | 59.56 | 58000 | 26320 | 11.14 | 16.60 |
| 32B-2 | 32B-2 | 2 | 50.80 | 1.220 | 30.99 | 1.15 | 29.21 | 0.701 | 17.81 | 4.96 | 126.00 | 2.305 | 58.55 | 76000 | 34480 | 14.10 | 21.00 |
| 05B-3 | 05B-3 | 0.315 | 8.00 | 0.118 | 3.00 | 0.197 | 5.00 | 0.091 | 2.31 | 0.79 | 0.79 | 0.222 | 5.64 | 2500 | 1140 | 0.36 | 0.54 |
| 06B-3 | 06B-3 | 3/8 | 9.525 | 0.225 | 5.72 | 0.250 | 6.35 | 0.129 | 3.28 | 1.34 | 34.00 | 0.403 | 10.24 | 5600 | 2540 | 0.79 | 1.18 |
| 08B-3 | 08B-3 | 1/2 | 12.70 | 0.305 | 7.75 | 0.335 | 8.51 | 0.175 | 4.45 | 1.77 | 44.00 | 0.548 | 13.92 | 10000 | 4540 | 1.34 | 2.00 |
| 10B-3 | 10B-3 | 5/8 | 15.875 | 0.380 | 9.65 | 0.40 | 10.16 | 0.200 | 5.08 | 2.08 | 52.80 | 0.653 | 16.59 | 15000 | 6810 | 1.88 | 2.80 |
| 12B-3 | 12B-3 | 3/4 | 19.05 | 0.460 | 11.68 | 0.475 | 12.07 | 0.225 | 5.72 | 2.43 | 61.70 | 0.766 | 19.46 | 19500 | 8850 | 2.55 | 3.80 |
| 16B-3 | 16B-3 | 1 | 25.40 | 0.670 | 17.02 | 0.625 | 15.88 | 0.326 | 8.28 | 3.93 | 99.90 | 1.255 | 31.88 | 28500 | 12930 | 5.37 | 8.00 |
| 20B-3 | 20B-3 | 1 1/4 | 31.75 | 0.770 | 19.56 | 0.750 | 19.25 | 0.401 | 10.19 | 4.57 | 116.10 | 1.435 | 36.45 | 43000 | 19740 | 7.39 | 11.00 |
| 24B-3 | 24B-3 | 1 1/2 | 38.10 | 1.00 | 25.40 | 1.00 | 25.40 | 0.576 | 14.63 | 5.91 | 150.20 | 1.904 | 48.36 | 66000 | 29940 | 14.10 | 21.00 |
| 28B-3 | 28B-3 | 1 3/4 | 44.45 | 1.220 | 30.99 | 1.10 | 27.94 | 0.626 | 15.90 | 7.26 | 184.30 | 2.345 | 59.56 | 87000 | 39480 | 16.78 | 25.00 |
| 32B-3 | 32B-3 | 2 | 50.80 | 1.220 | 30.99 | 1.15 | 29.21 | 0.701 | 17.81 | 7.26 | 184.50 | 2.305 | 58.55 | 114000 | 51720 | 21.48 | 32.00 |



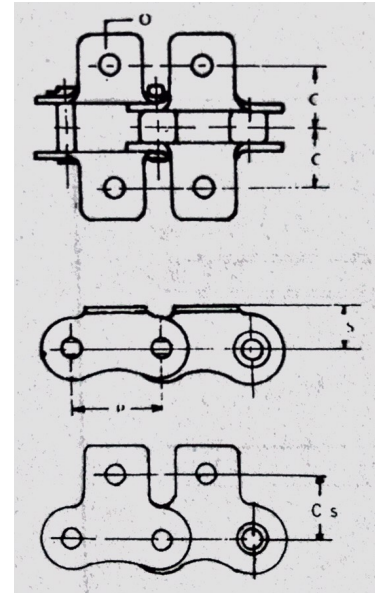
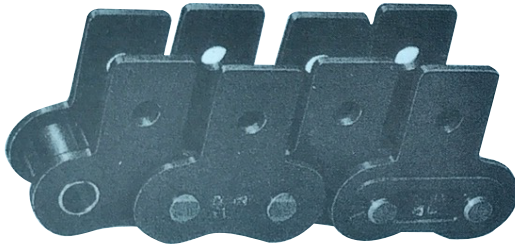
| 鏈條號碼 Chain No. | 節距 | 滾子徑 | 滾子滑環 | 鏈環板厚度 | | 口徑 | 口徑 | | 口徑 | | 圓柱距離 | 平均破斷 強離 |
|-------------------|--------|-------|-------|-------|-------|-------|-------|-------|-------|-------|---------|------------|
| | P | D | W | H | T | d | L1 | L2 | L3 | L4 | E | |
| RS 25 | 0.250 | 0.130 | 0.126 | 0.230 | 0.030 | 0.091 | 0.189 | 0.154 | 0.189 | 0.161 | 935 | 0.09 |
| | 6.35 | 3.3 | 3.2 | 5.85 | 0.75 | 2.30 | 4.8 | 3.9 | 4.8 | 4.1 | 425 | 0.13 |
| RS35 | 0.375 | 0.200 | 0.189 | 0.354 | 0.050 | 0.141 | 0.264 | 0.240 | 0.264 | 0.252 | 2,310 | 0.24 |
| | 9.525 | 5.08 | 4.8 | 9.0 | 1.25 | 3.58 | 6.7 | 6.1 | 6.7 | 6.4 | 1,050 | 0.36 |
| RS41 | 0.500 | 0.306 | 0.252 | 0.382 | 0.050 | 0.141 | 0.315 | 0.268 | 0.315 | 0.268 | 2,398 | 0.27 |
| | 12.70 | 7.77 | 6.4 | 9.7 | 1.25 | 3.58 | 8.0 | 6.8 | 8.0 | 6.8 | 1,090 | 0.41 |
| RS40 | 0.500 | 0.312 | 0.312 | 0.472 | 0.060 | 0.156 | 0.382 | 0.319 | 0.402 | 0.319 | 3,784 | 0.44 |
| | 12.70 | 7.95 | 7.95 | 12.0 | 1.5 | 3.96 | 9.7 | 8.1 | 10.2 | 8.1 | 1,720 | 0.66 |
| RS50 | 0.625 | 0.400 | 0.376 | 0.591 | 0.080 | 0.200 | 0.476 | 0.409 | 0.476 | 0.409 | 6,380 | 0.72 |
| | 15.875 | 10.16 | 9.55 | 15.0 | 2.0 | 5.08 | 12.1 | 10.4 | 12.1 | 10.4 | 2,900 | 1.08 |
| RS60 | 0.750 | 0.469 | 0.500 | 0.709 | 0.094 | 0.234 | 0.579 | 0.500 | 0.598 | 0.500 | 8,910 | 1.07 |
| | 19.05 | 11.91 | 12.7 | 18.0 | 2.4 | 5.95 | 14.7 | 12.7 | 15.2 | 12.7 | 4,050 | 1.6 |
| RS80 | 1,000 | 0.625 | 0.626 | 0.945 | 0.125 | 0.312 | 0.740 | 0.642 | 0.760 | 0.760 | 16,060 | 1.81 |
| | 25.40 | 15.88 | 15.9 | 24.0 | 3.2 | 7.94 | 18.8 | 16.3 | 19.3 | 19.3 | 7,300 | 2.7 |
| RS100 | 1.250 | 0.750 | 0.754 | 1.181 | 0.156 | 0.375 | 0.909 | 0.787 | 0.909 | 0.909 | 24,200 | 2.75 |
| | 31.75 | 19.05 | 19.15 | 30.0 | 4.0 | 9.53 | 23.1 | 20.0 | 23.1 | 23.1 | 11,000 | 4.1 |
| RS120 | 1.500 | 0.875 | 1.006 | 1.417 | 0.187 | 0.437 | 1.118 | 0.988 | 1.118 | 1.118 | 33,880 | 4.02 |
| | 38.10 | 22.23 | 25.55 | 36.0 | 4.8 | 11.11 | 28.4 | 25.1 | 28.4 | 28.4 | 15,400 | 6.0 |
| RS140 | 1.750 | 1.000 | 1.004 | 1.654 | 0.219 | 0.500 | 1.252 | 1.067 | 1.252 | 1.252 | 45,980 | 5.16 |
| | 44.45 | 25.40 | 25.5 | 42.0 | 5.6 | 12.70 | 31.8 | 27.1 | 31.8 | 31.8 | 20,900 | 7.7 |
| RS160 | 2.000 | 1.125 | 1.256 | 1.850 | 0.250 | 0.562 | 1.453 | 1.268 | 1.453 | 1.453 | 57,860 | 6.63 |
| | 50.80 | 28.58 | 31.9 | 47.0 | 6.4 | 14.29 | 36.9 | 32.2 | 36.9 | 36.9 | 26,300 | 9.9 |
| RS180 | 2.250 | 1.406 | 1.409 | 2.087 | 0.281 | 0.687 | 1.673 | 1.445 | 1.673 | 1.673 | 73,480 | 9.02 |
| | 57.15 | 35.71 | 35.80 | 53.0 | 7.2 | 17.46 | 42.5 | 36.7 | 42.5 | 42.5 | 33,400 | 13.46 |
| RS200 | 2.500 | 1.562 | 1.504 | 2.283 | 0.312 | 0.781 | 1.783 | 1.575 | 1.783 | 1.783 | 94,820 | 11.06 |
| | 63.50 | 39.68 | 38.2 | 58.0 | 8.0 | 19.84 | 45.3 | 40.0 | 45.3 | 45.3 | 43,100 | 16.5 |
| RS240 | 3.000 | 1.875 | 1.890 | 2.835 | 0.375 | 0.937 | 2.97 | 1.925 | 2.197 | 2.197 | 145,200 | 16.62 |
| | 76.20 | 47.63 | 48.0 | 72.0 | 9.5 | 23.80 | 55.8 | 48.9 | 55.8 | 55.8 | 66,000 | 24.8 |

ROLLER CHAIN DOUBLE

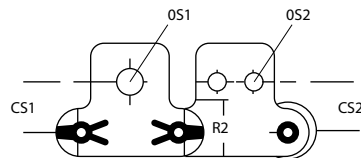
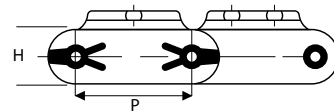
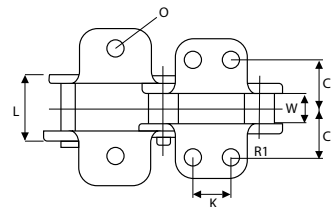
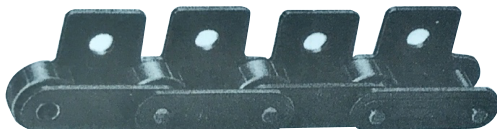
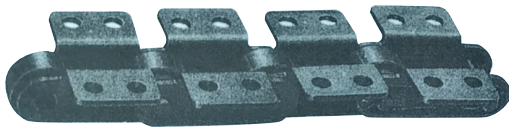
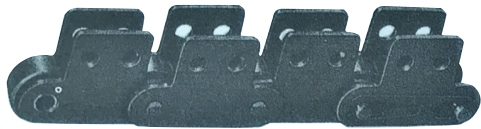


| 鏈條號碼 Chain No. | 節距 | 滾子徑 | 滾子滑環 | 鏈環板厚度 | | 口徑 | 口徑 | | 口徑 | | 圓柱距離 | 平均破斷 強離 | 重量 |
|-------------------|--------|-------|-------|-------|-------|-------|-------|-------|-------|-------|-------|------------|---------|
| | P | D | W | H | T | d | L1 | L2 | L3 | L4 | E | | Weight |
| RS 25-2 | 0.250 | 0.130 | 0.126 | 0.230 | 0.030 | 0.091 | 0.315 | 0.280 | 0.315 | 0.287 | 0.252 | 1,870 | 0.18 |
| | 6.35 | 3.30 | 3.20 | 5.85 | 0.75 | 2.30 | 8.0 | 7.10 | 8.0 | 7.3 | 6.4 | | 850 |
| RS 35-2 | 0.375 | 0.200 | 0.189 | 0.354 | 0.050 | 0.141 | 0.463 | 0.439 | 0.463 | 0.451 | 0.399 | 4,620 | 0.47 |
| | 9.525 | 5.08 | 4.8 | 9.0 | 1.25 | 3.58 | 11.75 | 11.15 | 11.75 | 11.45 | 10.1 | | 2,100 |
| RS 40-2 | 0.500 | 0.312 | 0.312 | 0.472 | 0.060 | 0.156 | 0.665 | 0.602 | 0.685 | 0.602 | 0.566 | 7,560 | 0.87 |
| | 12.70 | 7.95 | 7.95 | 12.0 | 1.5 | 3.96 | 16.9 | 15.3 | 17.4 | 15.3 | 14.4 | | 3,440 |
| RS 50-2 | 0.625 | 0.400 | 0.376 | 0.591 | 0.080 | 0.200 | 0.833 | 0.766 | 0.833 | 0.766 | 0.713 | 12,760 | 1.43 |
| | 15.875 | 10.16 | 9.55 | 15.0 | 2.0 | 5.08 | 21.15 | 19.45 | 21.15 | 19.45 | 18.1 | | 5,800 |
| RS 60-2 | 0.750 | 0.469 | 0.500 | 0.709 | 0.094 | 0.234 | 1.028 | 0.949 | 1.047 | 0.949 | 0.897 | 17,820 | 2.08 |
| | 19.05 | 11.91 | 12.7 | 18.0 | 2.4 | 5.95 | 26.1 | 24.1 | 26.6 | 24.1 | 22.8 | | 8,100 |
| RS 80-2 | 1.000 | 0.625 | 0.626 | 0.945 | 0.125 | 0.312 | 1.317 | 1.219 | 1.337 | 1.337 | 1.153 | 32,120 | 3.55 |
| | 25.40 | 15.88 | 15.9 | 24.0 | 3.2 | 7.94 | 33.45 | 30.95 | 33.95 | 33.95 | 29.3 | | 14,600 |
| RS 100-2 | 1.250 | 0.750 | 0.754 | 1.181 | 0.156 | 0.375 | 1.614 | 1.492 | 1.614 | 1.614 | 1.408 | 48,400 | 5.43 |
| | 31.75 | 19.05 | 19.15 | 30.0 | 4.0 | 9.53 | 41.0 | 37.9 | 41.0 | 41.0 | 35.8 | | 22,000 |
| RS 120-2 | 1.500 | 0.875 | 1.006 | 1.417 | 0.187 | 0.437 | 2.012 | 1.882 | 2.012 | 2.012 | 1.789 | 67,760 | 7.97 |
| | 38.10 | 22.23 | 25.55 | 36.0 | 4.8 | 11.11 | 51.1 | 47.8 | 51.1 | 51.1 | 45.4 | | 30,800 |
| RS 140-2 | 1.750 | 1.000 | 1.004 | 1.654 | 0.219 | 0.500 | 2.215 | 2.030 | 2.215 | 2.215 | 1.924 | 91,960 | 10.12 |
| | 44.45 | 25.40 | 25.5 | 42.0 | 5.6 | 12.70 | 56.25 | 51.55 | 56.25 | 56.25 | 48.9 | | 41,800 |
| RS 160-2 | 2.000 | 1.125 | 1.256 | 1.850 | 0.250 | 0.562 | 2.604 | 2.419 | 2.604 | 2.604 | 2.305 | 115,720 | 13.13 |
| | 50.80 | 28.58 | 31.9 | 47.0 | 6.4 | 14.29 | 66.15 | 61.45 | 66.15 | 66.15 | 58.5 | | 52,600 |
| RS 180-2 | 2.250 | 1.406 | 1.409 | 2.087 | 0.281 | 0.687 | 2.969 | 2.740 | 2.969 | 2.969 | 2.592 | 146,960 | 17.75 |
| | 57.15 | 35.71 | 35.80 | 53.0 | 7.2 | 17.46 | 75.4 | 69.6 | 75.4 | 75.4 | 65.8 | | 66,800 |
| RS 200-2 | 2.500 | 1.562 | 1.504 | 2.283 | 0.312 | 0.781 | 3.193 | 2.984 | 3.193 | 3.193 | 2.817 | 189,640 | 21.78 |
| | 63.50 | 39.68 | 38.2 | 58.0 | 8.0 | 19.84 | 81.1 | 75.8 | 81.1 | 81.1 | 71.6 | | 86,200 |
| RS 240-2 | 3.000 | 1.875 | 1.890 | 2.835 | 0.375 | 0.937 | 3.925 | 3.654 | 3.925 | 3.925 | 3.458 | 290,400 | 32.83 |
| | 76.20 | 47.63 | 48.0 | 72.0 | 9.5 | 23.80 | 99.7 | 92.8 | 99.7 | 99.70 | 87.80 | | 132,000 |

RS, RF TYPE CHAIN

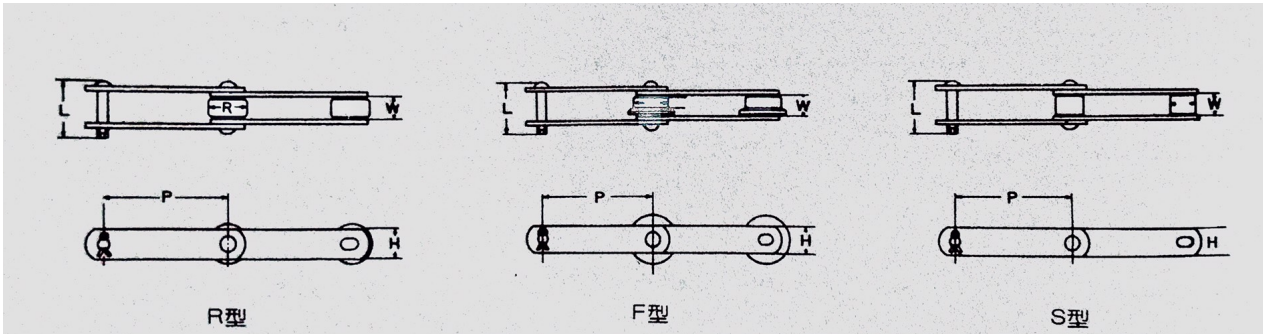


| 鏈條號碼 Chain No. | 節距 P | 平均抗拉強度 (kg) | 配件尺寸 | | | |
|-------------------|---------|------------------|------|------|------|------|
| | | | S | C | Cs | O |
| RS 40 | 12.70 | 850 | 8.0 | 12.7 | 12.7 | 3.6 |
| RS 50 | 15.875 | 1,400 | 10.3 | 15.9 | 15.9 | 5.2 |
| RS 60 | 19.05 | 1,950 | 11.9 | 19.1 | 18.3 | 5.2 |
| RS 80 | 25.40 | 3,250 | 15.9 | 25.4 | 24.6 | 6.8 |
| RS 100 | 31.75 | 5,500 | 19.8 | 31.8 | 31.8 | 8.7 |
| RS 120 | 38.10 | 7,700 | 23.0 | 38.1 | 36.5 | 10.3 |
| RS 140 | 44.45 | 10,400 | 28.6 | 44.5 | 44.5 | 11.9 |
| RS 160 | 50.80 | 13,150 | 31.8 | 50.8 | 50.8 | 14.3 |



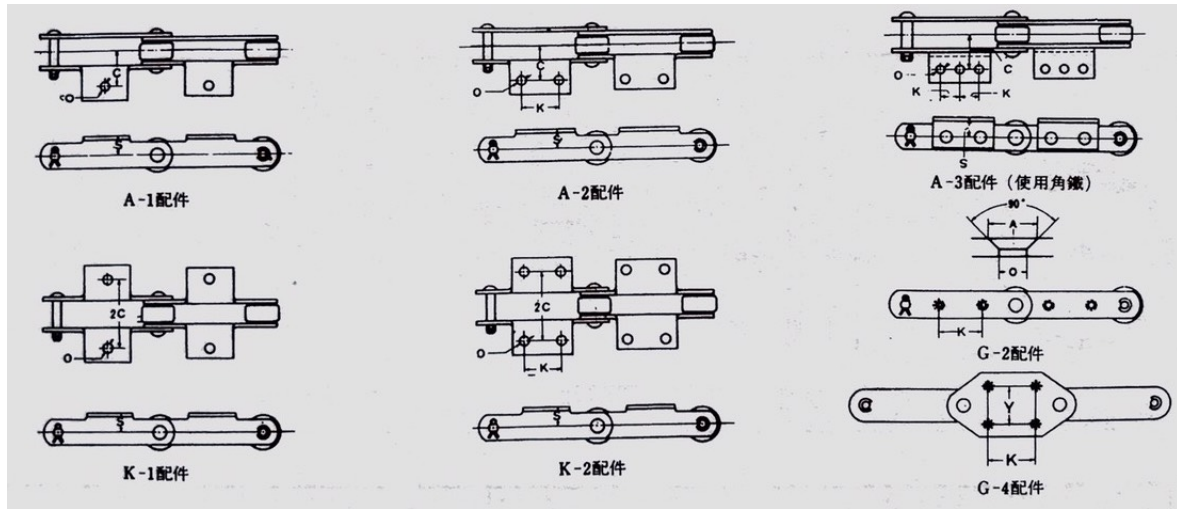
| 鏈條號碼 Chain No. | 節距 P | 滾子 內寬 W | 連結 銷長 L | S 滾子 | R 滾子 | 連環 板寬 H | 平均抗 拉強度 (Kg) |
|-------------------|---------|---------------|---------------|----------------|----------------|---------------|--------------------|
| | | | | Roller S R1 | Roller R R2 | | |
| RF 2040 | 25.40 | 7.9 | 17.50 | 7.94 | 15.88 | 12.0 | 1,700 |
| RF 2050 | 31.75 | 9.5 | 22.20 | 10.16 | 19.05 | 15.0 | 2,800 |
| RF 2060 | 38.10 | 12.7 | 30.80 | 11.91 | 22.23 | 17.2 | 3,900 |
| RF 2080 | 50.80 | 15.8 | 38.90 | 15.88 | 28.58 | 23.0 | 6,500 |
| RF 2100 | 63.50 | 19.0 | 45.80 | 19.05 | 39.69 | 28.6 | 11,000 |

| 鏈條號碼 Chain No. | 配件尺寸 | | | | | | |
|-------------------|-------|-------|-------|-------|-------|-------|------|
| | S | K | C | CS1 | CS2 | O*OS2 | OS1 |
| RF 2040 | 9.10 | 9.50 | 12.70 | 11.10 | 13.60 | 3.60 | 5.2 |
| RF 2050 | 11.10 | 11.90 | 15.90 | 14.30 | 15.90 | 5.20 | 6.8 |
| RF 2060 | 14.70 | 14.30 | 21.40 | 17.50 | 19.10 | 5.20 | 8.7 |
| RF 2080 | 19.10 | 19.10 | 27.80 | 22.20 | 25.40 | 6.80 | 10.3 |
| RF 2100 | 23.40 | 23.80 | 33.30 | 28.60 | 31.80 | 8.70 | 14.3 |



| 鏈條號碼 Chain No. | 節距 P | 滾子徑 | | 滾子鏈 環內寬 W | 觸軌寬 E | 銷長 C 銷 L | 連環寬 H | 板厚 T | 平均抗 拉強度 (kg) | 重量 (kg / m) | | |
|-------------------|---------|-------|------|-----------------|----------|----------------|----------|---------|--------------------|-------------|----------|----------|
| | | R,F 型 | S 型 | | | | | | | R 滾子行 | F 滾子行 | S 滾子行 |
| 3075 | 75 | 31.8 | 15.9 | 16.1 | 12 | 37 | 22 | 3.2 | 3,000 | 2.7 | 2.8 | 1.9 |
| 3100 | 100 | 31.8 | 15.9 | 16.1 | 12 | 37 | 22 | 3.2 | 3,000 | 2.3 | 2.4 | 1.7 |
| 430 | 101.6 | 38.1 | 20.1 | 22.6 | - | 54.5 | 25.4 | 4.8 | 5,500 | 4.3 | - | 3.0 |
| 5075 | 75 | - | 22.2 | 22 | - | 53 | 32 | 4.5 | 7,000 | - | - | 3.4 |
| 5100 | 100 | 40 | 22.2 | 22 | 14 | 53 | 32 | 4.5 | 7,000 | 5.0 | 5.2 | 3.7 |
| 5150 | 150 | 40 | 22.2 | 22 | 14 | 53 | 32 | 4.5 | 7,000 | 4.1 | 4.2 | 3.2 |
| 204 | 66.27 | - | 22.2 | 27 | - | 65.5 | 28.6 | 6.3 | 8,000 | - | - | 5.6 |
| 450 | 101.6 | 44.5 | 22.2 | 27 | - | 65.5 | 28.6 | 6.3 | 8,000 | 6.8 | - | 4.6 |
| 450-F | 101.6 | 44.5 | - | 30.2 | 20 | 68.5 | 28.6 | 6.3 | 8,000 | - | 7.5 | - |
| 08150-F | 150 | 44.5 | - | 30.2 | 20 | 68.5 | 28.6 | 6.3 | 8,000 | - | 5.8 | - |
| 10100 | 100 | - | 29.0 | 30 | - | 72.5 | 38.1 | 6.3 | 11,500 | - | - | 6.8 |
| 10150 | 150 | 50.8 | 29.0 | 30 | 20 | 72.5 | 38.1 | 6.3 | 11,500 | 7.9 | 8.1 | 5.9 |
| 205 | 78.11 | - | 31.8 | 37.1 | - | 89 | 38.1 | 7.9 | 13,000 | - | - | 10.4 |
| 214 | 101.6 | 44.5 | 31.8 | 31.6 | - | 84 | 38.1 | 7.9 | 13,000 | 10.4 | - | 8.7 |
| 6205 | 152.4 | 57.2 | 34.9 | 37.1 | 25 | 89 | 44.5 | 7.9 | 19,000 | 12.1 | 12.4 | 9.3 |
| 12200 | 200 | 65 | 34.9 | 37.1 | 24 | 89 | 44.5 | 7.9 | 19,000 | 11.4 | 11.9 | 8.4 |
| 12250 | 250 | 65 | 34.9 | 37.1 | 24 | 89 | 44.5 | 7.9 | 19,000 | 10.3 | 10.6 | 7.8 |
| 212 | 152.4 | 69.9 | 40.1 | 37.1 | - | 97.5 | 50.8 | 9.5 | 21,000 | 17.1 | - | 12.6 |
| 17200 | 200 | 80 | 40.1 | 51.4 | 34 | 111.5 | 50.8 | 9.5 | 25,000 | 18.8 | 19.8 | 12.0 |
| 17250 | 250 | 80 | 40.1 | 51.4 | 34 | 111.5 | 50.8 | 9.5 | 25,000 | 16.5 | 17.3 | 11.1 |
| 17300 | 300 | 80 | 40.1 | 51.4 | 34 | 111.15 | 50.8 | 9.5 | 25,000 | 15.0 | 15.7 | 10.5 |
| 26250 | 250 | 100 | 44.5 | 57.2 | 38 | 121 | 63.5 | 9.5 | 28,500 | 25.3 | 26.5 | 14.7 |
| 26300 | 300 | 100 | 44.5 | 57.2 | 38 | 121 | 63.5 | 9.5 | 28,500 | 22.3 | 23.6 | 13.8 |
| 650 | 152.4 | 50.8 | 25.8 | 30.2 | 20 | 68.5 | 38.1 | 6.3 | 8,000 | 7.7 | 8.0 | 6.0 |
| 16200 | 200 | 70 | - | 40 | 27 | 95 | 44.5 | 7.9 | 16,000 | 12.8 | 13.4 | - |
| 16250 | 250 | 70 | - | 40 | 27 | 95 | 44.5 | 7.9 | 16,000 | 11.3 | 11.8 | - |
| 20200 | 200 | 75 | - | 44 | 30 | 105 | 50.8 | 9.0 | 21,000 | 16.4 | 17.4 | - |
| 20300 | 300 | 75 | - | 44 | 30 | 105 | 50.8 | 9.0 | 21,000 | 13.5 | 14.2 | - |
| 205A | 78.11 | - | 31.8 | 37.1 | - | 91 | 38.1 | 7.9 | 23,000 | - | - | 10.4 |
| 25200 | 200 | 85 | - | 49 | 34 | 113 | 63.5 | 9.0 | 28,500 | 22.9 | 23.9 | - |
| 25300 | 300 | 85 | - | 49 | 34 | 113 | 63.5 | 9.0 | 28,500 | 18.5 | 19.1 | - |
| 26450 | 450 | 100 | 44.5 | 57.2 | 38 | 121 | 63.5 | 9.5 | 28,500 | 18.0 | 18.9 | 12.4 |
| 35300 | 300 | 100 | - | 59 | 40 | 125 | 76.2 | 9.0 | 36,500 | 25.6 | 26.8 | - |
| 36300 | 300 | 125 | 50.8 | 66.7 | 42 | 145 | 76.2 | 12.7 | 48,500 | 39.0 | 40.1 | 22.9 |
| 36450 | 450 | 125 | 50.8 | 66.7 | 42 | 145 | 76.2 | 12.7 | 48,500 | 30.7 | 31.9 | 20.2 |
| 36600 | 600 | 125 | 50.8 | 66.7 | 42 | 145 | 76.2 | 12.7 | 48,500 | 26.9 | 27.8 | 19.0 |
| 52300 | 300 | 140 | 57.2 | 77 | 49 | 176 | 76.2 | 16.0 | 54,000 | 48.8 | 52.5 | 29.7 |
| 52450 | 450 | 140 | 57.2 | 77 | 49 | 176 | 76.2 | 16.0 | 54,000 | 37.5 | 39.3 | 26.2 |
| 52600 | 600 | 140 | 57.2 | 77 | 49 | 176 | 76.2 | 16.0 | 54,000 | 32.9 | 34.3 | 24.4 |

RF TYPE CHAIN



● A & K 配件 (A 為單邊, K 為單邊, 1,2 為單邊孔數)

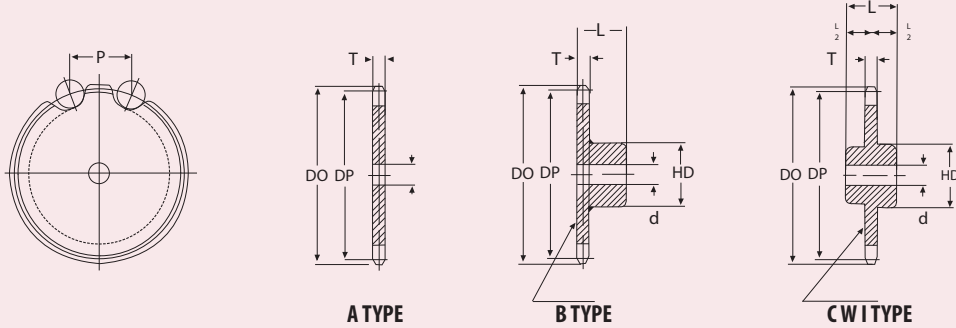
| 配件型式 | 連跳好嗎 RF- | 配件尺寸 | | | | 每節加重 (kg) |
|-------------------|-------------------|------|-----|------|------|--------------|
| | | S | C | K | O | |
| A-1 | 204 - S | 24 | 45 | - | 11 | 0.08 |
| | 05075 - S | 22 | 35 | - | 9.5 | 0.03 |
| K-1 | 205 - S | 30 | 55 | - | 12 | 0.13 |
| A-2 K-2 A-2 | 03075 - R, (F), S | 20 | 30 | 30 | 9.5 | 0.05 |
| | 205 - S | 35 | 60 | 30 | 12 | 0.23 |
| | 03100 - R, (F), S | 20 | 30 | 40 | 9.5 | 0.06 |
| | 05100 - R, (F), S | 22 | 35 | 40 | 9.5 | 0.08 |
| | 10100 - S | 28 | 50 | 40 | 11 | 0.16 |
| | 430 - R, S | 22 | 40 | 40 | 11 | 0.11 |
| | 450 - R, (F), S | 28 | 50 | 40 | 11 | 0.18 |
| | 214 - R, S | 35 | 55 | 40 | 15 | 0.28 |
| | 08150 - (F) | 28 | 50 | 60 | 11 | 0.22 |
| | 05150 - R, (F), S | 22 | 35 | 60 | 9.5 | 0.10 |
| | 10150 - R, (F), S | 28 | 50 | 60 | 11 | 0.20 |
| | 6205 - R, (F), S | 38 | 60 | 60.0 | 15 | 0.37 |
| | 212 - R, S | 45 | 65 | 60 | 15 | 0.49 |
| | 650 - R, (F), S | 32 | 50 | 60.0 | 11 | 0.22 |
| A-2 | 12200 - R, F, S | 38 | 60 | 80 | 15 | 0.45 |
| | 17200 - R, F, S | 45 | 75 | 80 | 15 | 0.66 |
| | 12250 - R, F, S | 38 | 60 | 120 | 15 | 0.62 |
| | 17250 - R, F, S | 45 | 75 | 125 | 15 | 0.79 |
| | 16200 - R, F | 35 | 65 | 80 | 15 | 0.45 |
| | 20200 - R, F | 40 | 70 | 80 | 15 | 0.50 |
| | 25200 - R, F | 45 | 75 | 80 | 15 | 0.58 |
| | 16250 - R, F | 35 | 65 | 125 | 15 | 0.62 |
| 35300 - R, F | 50 | 80 | 180 | 15 | 1.03 | |
| A-2 | 17300 - R, F, S | 45 | 75 | 180 | 15 | 1.34 |
| | 26300 - R, F, S | 55 | 80 | 180 | 15 | 2.22 |
| | 20300 - R, F | 40 | 70 | 180 | 15 | 1.34 |
| | 25300 - R, F | 45 | 75 | 180 | 15 | 2.22 |
| A-3 | 26450 - R, F, S | 55 | 80 | 140 | 15 | 3.26 |
| | 36450 - R, F, S | 70 | 100 | 140 | 19 | 5.07 |
| | 52450 - R, F | 80 | 120 | 140 | 22 | 6.30 |
| | 36600 - R, F, S | 70 | 100 | 180 | 19 | 6.26 |
| | 52600 - R, F | 80 | 120 | 180 | 22 | 7.80 |

● G-2 配件

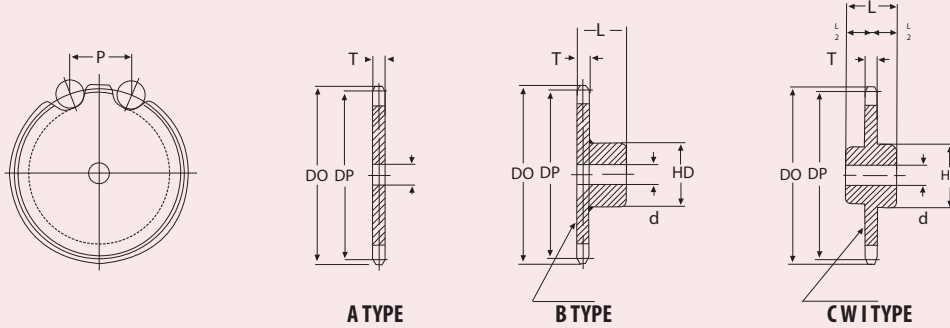
| 連跳好嗎 RF- | 配件尺寸 | | |
|-----------------|------|-----|------|
| | K | O | A |
| 05100 - R, F, S | 40 | 9.5 | 14 |
| 05150 - R, F, S | 60 | 9.5 | 14 |
| 10150 - R, F, S | 60 | 11 | 19.5 |
| 10100 - S | 35 | 11 | 19.5 |
| 6205 - R, F, S | 50 | 15 | 27 |
| 12200 - R, F, S | 80 | 15 | 27 |
| 17200 - R, F, S | 70 | 15 | 27 |
| 12250 - R, F, S | 125 | 15 | 27 |
| 17250 - R, F, S | 110 | 15 | 27 |
| 17300 - R, F, S | 150 | 15 | 27 |
| 26300 - R, F, S | 140 | 15 | 27 |
| 650 - R, F | 60 | 11 | 19.5 |
| 16200 - R, F, S | 80 | 15 | 27 |
| 20200 - R, S | 80 | 15 | 27 |
| 25200 - R, S | 80 | 15 | 27 |
| 16200 - R, F, S | 125 | 15 | 27 |
| 20300 - R, F, S | 150 | 15 | 27 |
| 25300 - R, F, S | 150 | 15 | 27 |
| 35300 - R, F, S | 140 | 15 | 27 |
| 26450 - R, F, S | 220 | 15 | 27 |
| 36450 - R, F, S | 220 | 19 | 22 |
| 52450 - R, F, S | 200 | 22 | 38 |
| 36600 - R, F, S | 300 | 19 | 32 |
| 52600 - R, F, S | 300 | 22 | 38 |

● G-4 配件

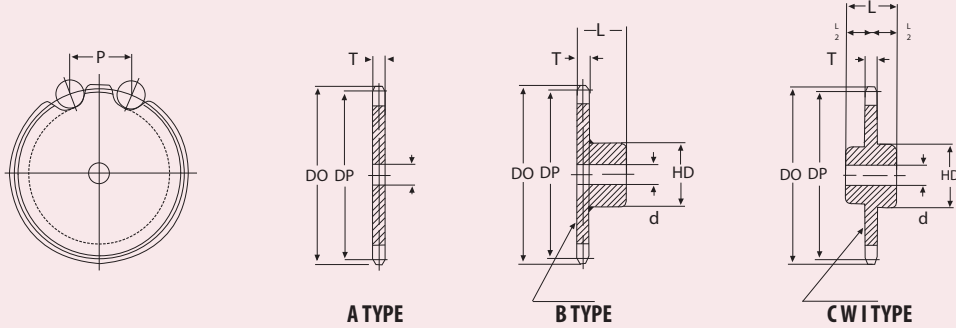
| 連跳好嗎 RF- | 配件尺寸 | | | |
|-------------|------|-----|----|------|
| | K | Y | O | A |
| 10150 - S | 75 | 70 | 11 | 19.5 |
| 6205 - S | 75 | 70 | 15 | 27 |
| 12200 - S | 100 | 70 | 15 | 27 |
| 17200 - S | 100 | 80 | 15 | 27 |
| 26250 - S | 140 | 100 | 15 | 27 |
| 26300 - S | 180 | 100 | 15 | 27 |
| 650 - S | 75 | 70 | 11 | 19.5 |
| 26200 - S | 100 | 80 | 15 | 27 |
| 36250 - S | 140 | 100 | 19 | 32 |
| 36300 - S | 180 | 100 | 19 | 32 |



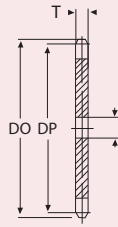
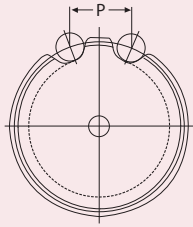
| 編號 | 形式 | 齒數 | 節距徑 DP | 直徑 DO | 齒厚 z | 孔徑範圍 d | 輪轂直徑 DH | 總長度 z | 重量 (kg) | 編號 | 形式 | 齒數 | 節距徑 DP | 直徑 DO | 齒厚 z | 孔徑範圍 d | 輪轂直徑 DH | 總長度 z | 重量 (kg) | |
|----------|-------|-------|---------|---------|---------|---------|----------|-------|---------|----------|----------|---------|---------|---------|---------|---------|---------|---------|---------|------|
| RF 03075 | R | 6 | 150.0 | 158 | 12 | 25 - 40 | 65 | 52 | 3.0 | RF 05075 | R | 8 | 196.0 | 213 | 16 | 25 - 60 | 90 | 76 | 6.5 | |
| | | 8 | 196.0 | 209 | | 25 - 45 | 70 | 57 | 4.5 | | | 10 | 242.7 | 263 | | 30 - 65 | 100 | 81 | 9.0 | |
| | | 10 | 242.7 | 259 | | 25 - 50 | 75 | 62 | 6.0 | | | 12 | 289.8 | 312 | | 30 - 65 | 100 | 81 | 12.0 | |
| | | 12 | 289.8 | 308 | | 25 - 50 | 75 | 62 | 8.0 | | | F | 8 | 196.0 | | 213 | 12 | 25 - 60 | 90 | 72 |
| | 8 | 196.0 | 209 | 25 - 45 | 70 | 54 | 3.5 | 10 | 242.7 | | 263 | | 30 - 65 | 100 | 77 | 8.0 | | | | |
| | 10 | 242.7 | 259 | 25 - 50 | 75 | 59 | 5.0 | 12 | 289.8 | | 312 | | 30 - 65 | 100 | 77 | 10.0 | | | | |
| | 12 | 289.8 | 308 | 25 - 50 | 75 | 59 | 6.5 | S | 8 | | 196.0 | | 209 | 16 | 25 - 60 | 90 | | 76 | 7.0 | |
| | 8 | 196.0 | 209 | 25 - 45 | 70 | 54 | 3.5 | | 10 | | 242.7 | 256 | 30 - 65 | | 100 | 81 | 10.0 | | | |
| | 10 | 242.7 | 259 | 25 - 50 | 75 | 59 | 5.0 | | 12 | | 289.8 | 303 | 30 - 65 | | 100 | 81 | 13.0 | | | |
| | 12 | 289.8 | 308 | 25 - 50 | 75 | 59 | 6.5 | | S | | 6 | 150.0 | 158 | | 12 | 25 - 40 | 65 | 52 | 3.0 | |
| | 7 1/2 | 184.4 | 194 | 25 - 45 | 70 | 57 | 4.0 | 8 | | | 196.0 | 206 | 25 - 45 | 70 | | 57 | 4.5 | | | |
| | 8 | 196.0 | 206 | 25 - 45 | 70 | 57 | 4.5 | 10 | | | 242.7 | 252 | 25 - 50 | 75 | | 62 | 6.5 | | | |
| 10 | 242.7 | 252 | 25 - 50 | 75 | 62 | 8.5 | 12 | 289.8 | | 299 | 25 - 50 | 75 | 62 | 8.5 | | | | | | |
| 1/2 | 301.6 | 311 | 25 - 50 | 75 | 62 | 8.5 | RF 05100 | R | | 6 | 200.0 | 205 | 16 | 25 - 60 | | 90 | 76 | 6.5 | | |
| 8 | 261.3 | 273 | 30 - 65 | 100 | 81 | 10.0 | | | F | 6 | 200.0 | 205 | | 12 | 25 - 60 | 90 | 72 | 6.0 | | |
| 10 | 323.6 | 340 | 30 - 65 | 100 | 77 | 9.0 | | | | 8 | 261.3 | 273 | | | 30 - 65 | 100 | 77 | 9.0 | | |
| 12 | 386.4 | 405 | 30 - 65 | 100 | 77 | 12.0 | | | | 10 | 323.6 | 340 | | | 30 - 65 | 100 | 77 | 12.0 | | |
| 12 | 386.4 | 401 | 25 - 55 | 85 | 67 | 14.0 | | 12 | | 386.4 | 405 | 30 - 75 | 110 | | 87 | 17.0 | | | | |
| RF 03100 | R | 6 | 200.0 | 206 | 12 | 25 - 45 | | 70 | 57 | 4.5 | RF 05150 | S | 6 | 200.0 | 212 | 16 | 25 - 60 | 90 | 76 | 7.5 |
| | | 8 | 261.3 | 272 | | 25 - 50 | | 75 | 62 | 6.5 | | | 7 1/2 | 245.9 | 257 | | 30 - 65 | 100 | 81 | 10.0 |
| | | 10 | 323.6 | 336 | | 25 - 50 | | 75 | 62 | 7.0 | | | 8 | 261.3 | 273 | | 30 - 65 | 100 | 81 | 11.0 |
| | | 12 | 386.4 | 401 | | 25 - 50 | | 75 | 62 | 10.0 | | | 10 | 323.6 | 337 | | 30 - 65 | 100 | 81 | 15.0 |
| | F | 6 | 200.0 | 206 | 9 | 25 - 45 | | 70 | 54 | 3.5 | | R | 6 | 300.0 | 304 | 16 | 30 - 65 | 100 | 81 | 12.0 |
| | | 8 | 261.3 | 272 | | 25 - 50 | | 75 | 59 | 5.5 | | | 8 | 392.0 | 402 | | 30 - 75 | 110 | 91 | 20.0 |
| | | 10 | 323.6 | 336 | | 25 - 50 | | 75 | 59 | 7.5 | | | 10 | 485.4 | 500 | | 35 - 80 | 120 | 96 | 30.0 |
| | | 12 | 386.4 | 401 | | 25 - 55 | 85 | 64 | 11.0 | 12 | | | 579.6 | 596 | 35 - 85 | | 130 | 101 | 41.0 | |
| | | 12 | 386.4 | 401 | | 25 - 55 | 85 | 64 | 11.0 | F | | | 6 | 300.0 | 304 | | 12 | 30 - 65 | 100 | 77 |
| | 6 | 200.0 | 210 | 25 - 45 | 70 | 57 | 4.5 | 8 | 392.0 | | | 402 | 30 - 75 | 110 | 87 | 17.0 | | | | |
| | 7 1/2 | 245.9 | 253 | 25 - 50 | 75 | 62 | 6.0 | 10 | 485.4 | | | 500 | 35 - 80 | 120 | 92 | 24.0 | | | | |
| | 8 | 261.3 | 269 | 25 - 50 | 75 | 62 | 7.0 | 12 | 579.6 | | | 596 | 35 - 85 | 130 | 97 | 33.0 | | | | |
| 10 | 323.6 | 333 | 25 - 50 | 75 | 62 | 10.0 | S | 6 | 300.0 | | 310 | 16 | 30 - 65 | 100 | 81 | 13.0 | | | | |
| 12 | 386.4 | 396 | 25 - 55 | 85 | 67 | 14.0 | | 7 1/2 | 368.8 | 369 | 30 - 75 | | 110 | 91 | 19.0 | | | | | |
| 1/2 | 402.1 | 412 | 25 - 55 | 85 | 67 | 14.0 | | 8 | 392.0 | 405 | 30 - 75 | | 110 | 91 | 21.0 | | | | | |
| R | 6 | 203.2 | 211 | 16 | 25 - 55 | 80 | | 71 | 6.5 | 10 | 485.4 | | 499 | 35 - 80 | 120 | 96 | 31.0 | | | |
| | 8 | 265.5 | 277 | | 25 - 60 | 90 | | 76 | 10.0 | 12 | 579.6 | | 592 | 35 - 86 | 130 | 101 | 42.0 | | | |
| | 10 | 328.8 | 345 | | 30 - 65 | 100 | 81 | 14.0 | 12 1/2 | 603.2 | 616 | 35 - 85 | 130 | 101 | 44.0 | | | | | |
| | 12 | 392.6 | 411 | | 30 - 65 | 100 | 81 | 19.0 | S | 6 | 203.2 | 215 | 16 | 25 - 55 | 80 | 71 | 6.5 | | | |
| | 8 | 265.5 | 277 | | 25 - 60 | 90 | 76 | 9.0 | | 7 1/2 | 249.8 | 260 | | 25 - 60 | 90 | 76 | 9.0 | | | |
| 10 | 328.8 | 345 | 30 - 65 | 100 | 81 | 15.0 | 8 | 265.5 | | 277 | 25 - 60 | 90 | | 76 | 11.0 | | | | | |
| 12 | 392.6 | 405 | 30 - 65 | 100 | 81 | 20.0 | 10 | 328.8 | | 341 | 30 - 65 | 100 | | 81 | 15.0 | | | | | |
| 1/2 | 408.5 | 421 | 30 - 65 | 100 | 81 | 20.0 | 12 | 392.6 | | 405 | 30 - 65 | 100 | | 81 | 20.0 | | | | | |



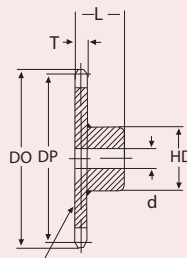
| 編號 | 形式 | 齒數 | 節距 DP | 直徑 DO | 齒厚 z | 孔徑範圍 d | 輪轂 直徑 DH | 總長 度 z | 重量 (kg) | 編號 | 形式 | 齒數 | 節距 DP | 直徑 DO | 齒厚 z | 孔徑範圍 d | 輪轂 直徑 DH | 總長 度 z | 重量 (kg) |
|----------|----|-------|----------|----------|---------|-----------|----------------|--------------|------------|-------------|-------|-------|----------|----------|----------|-----------|----------------|--------------|------------|
| RF 204 | S | 8 | 173.2 | 187 | 19 | 25 - 60 | 90 | 75 | 6.5 | S | 8 | 398.2 | 414 | 22 | 30 - 75 | 110 | 97 | 28 | |
| | | 10 | 214.5 | 228 | | 30 - 65 | 100 | 84 | 6.5 | | 10 | 493.2 | 509 | | 35 - 80 | 120 | 102 | 41 | |
| | | 12 | 266.0 | 269 | | 30 - 65 | 100 | 84 | 12 | | 12 | 588.8 | 604 | | 35 - 85 | 130 | 107 | 57 | |
| RF 450 | R | 6 | 203.2 | 217 | 19 | 25 - 60 | 90 | 79 | 7.0 | RF 10100 | R | 6 | 200.0 | 214 | 22 | 30 - 75 | 110 | 97 | 10 |
| | | 8 | 265.5 | 286 | | 30 - 65 | 100 | 84 | 12.0 | | | 8 | 261.3 | 282 | | 30 - 75 | 110 | 97 | 14 |
| | | 10 | 328.8 | 354 | | 30 - 75 | 110 | 94 | 18.0 | | | 10 | 323.6 | 349 | | 35 - 80 | 120 | 102 | 20 |
| | | 12 | 392.6 | 419 | | 30 - 75 | 110 | 94 | 22.0 | | | 12 | 386.4 | 414 | | 35 - 85 | 130 | 107 | 27 |
| | F | 6 | 203.2 | 217 | 16 | 25 - 60 | 90 | 76 | 6.5 | F | 6 | 200.0 | 214 | 16 | 30 - 75 | 110 | 91 | 9 | |
| | | 8 | 265.5 | 286 | | 30 - 65 | 100 | 81 | 11.0 | | 8 | 261.3 | 282 | | 30 - 75 | 110 | 91 | 12 | |
| | | 10 | 328.8 | 354 | | 30 - 75 | 110 | 91 | 16.0 | | 10 | 323.6 | 349 | | 35 - 80 | 120 | 96 | 17 | |
| | | 12 | 392.6 | 419 | | 30 - 75 | 110 | 91 | 20.0 | | 12 | 386.4 | 414 | | 35 - 85 | 130 | 101 | 22 | |
| | S | 6 | 203.2 | 217 | 19 | 25 - 60 | 90 | 79 | 8.0 | S | 6 | 200.0 | 217 | 22 | 30 - 75 | 110 | 97 | 11 | |
| | | 7 1/2 | 249.8 | 263 | | 30 - 65 | 100 | 84 | 11.0 | | 8 | 261.3 | 279 | | 30 - 75 | 110 | 97 | 15 | |
| | | 8 | 265.5 | 279 | | 30 - 65 | 100 | 84 | 13.0 | | 10 | 323.6 | 341 | | 35 - 80 | 120 | 102 | 22 | |
| | | 10 | 328.8 | 342 | | 30 - 75 | 110 | 94 | 19.0 | | 12 | 386.4 | 404 | | 35 - 85 | 130 | 107 | 29 | |
| RF 08150 | R | 6 | 300.0 | 311 | 19 | 30 - 75 | 110 | 94 | 15.0 | RF 10150 | R | 6 | 300.0 | 309 | 22 | 35 - 80 | 120 | 102 | 18 |
| | | 8 | 392.0 | 410 | | 30 - 75 | 110 | 94 | 23.0 | | | 8 | 392.0 | 408 | | 35 - 85 | 130 | 107 | 29 |
| | | 10 | 485.4 | 507 | | 35 - 80 | 120 | 99 | 34.0 | | | 10 | 485.4 | 506 | | 40 - 95 | 140 | 117 | 42 |
| | | 12 | 579.6 | 604 | | 35 - 85 | 130 | 104 | 48.0 | | | 12 | 579.6 | 601 | | 40 - 100 | 150 | 122 | 59 |
| | F | 6 | 300.0 | 311 | 16 | 30 - 75 | 110 | 91 | 14.0 | F | 6 | 300.0 | 309 | 16 | 35 - 80 | 120 | 96 | 15 | |
| | | 8 | 392.0 | 410 | | 30 - 75 | 110 | 91 | 20.0 | | 8 | 392.0 | 408 | | 35 - 85 | 130 | 101 | 24 | |
| | | 10 | 485.4 | 507 | | 35 - 80 | 120 | 96 | 30.0 | | 10 | 485.4 | 506 | | 40 - 95 | 140 | 111 | 34 | |
| | | 12 | 579.6 | 604 | | 35 - 85 | 130 | 101 | 42.0 | | 12 | 579.6 | 601 | | 40 - 100 | 150 | 116 | 46 | |
| | S | 6 | 300.0 | 313 | 19 | 30 - 75 | 110 | 94 | 16.0 | S | 6 | 300.0 | 316 | 22 | 35 - 80 | 120 | 102 | 19 | |
| | | 7 1/2 | 368.8 | 378 | | 30 - 75 | 110 | 94 | 22.0 | | 7 1/2 | 368.8 | 378 | | 35 - 85 | 130 | 107 | 26 | |
| | | 8 | 392.0 | 403 | | 30 - 75 | 110 | 94 | 24.0 | | 8 | 392.0 | 409 | | 35 - 85 | 130 | 107 | 30 | |
| | | 10 | 485.4 | 499 | | 35 - 80 | 120 | 99 | 35.0 | | 10 | 485.4 | 503 | | 40 - 95 | 140 | 117 | 43 | |
| RF 650 | R | 6 | 304.8 | 321 | 22 | 30 - 75 | 110 | 97 | 18.0 | RF 205 | S | 8 | 204.1 | 223 | 28 | 30 - 75 | 110 | 103 | 12 |
| | | 8 | 398.2 | 422 | | 30 - 75 | 110 | 97 | 27.0 | | | 10 | 252.8 | 272 | | 35 - 80 | 120 | 108 | 17 |
| | | 10 | 493.2 | 521 | | 35 - 80 | 120 | 102 | 39.0 | | | 12 | 301.8 | 321 | | 35 - 85 | 130 | 113 | 24 |
| | F | 6 | 304.8 | 321 | 16 | 30 - 75 | 110 | 91 | 14.0 | R | 6 | 203.2 | 230 | 25 | 30 - 75 | 110 | 100 | 12 | |
| | | 8 | 398.2 | 422 | | 30 - 75 | 110 | 91 | 21.0 | | 8 | 265.5 | 292 | | 35 - 80 | 120 | 105 | 17 | |
| | | 10 | 493.2 | 521 | | 35 - 80 | 120 | 96 | 31.0 | | 10 | 328.8 | 356 | | 35 - 85 | 130 | 110 | 25 | |
| | | 12 | 588.8 | 618 | | 35 - 85 | 130 | 101 | 43.0 | | 12 | 392.6 | 419 | | 40 - 95 | 140 | 120 | 34 | |
| | S | 6 | 304.8 | 320 | 22 | 30 - 75 | 110 | 97 | 19.0 | S | 6 | 203.2 | 222 | 25 | 30 - 75 | 110 | 100 | 13 | |
| | | 7 1/2 | 374.7 | 390 | | 30 - 75 | 110 | 97 | 24.0 | | 8 | 265.5 | 285 | | 35 - 80 | 120 | 105 | 18 | |
| | | 10 | 493.2 | 521 | | 35 - 85 | 130 | 110 | 26 | | 10 | 328.8 | 348 | | 35 - 85 | 130 | 110 | 26 | |
| | | | 12 | 588.8 | 618 | | | | | | | 12 | 392.6 | 412 | | 40 - 95 | 140 | 120 | 35 |



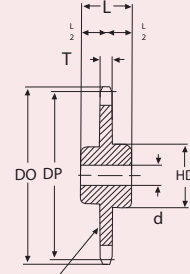
| 編號 | 形式 | 齒數 | 節距 徑 DP | 直徑 DO | 齒 厚 z | 孔徑範圍 d | 輪轂 直徑 DH | 總長 度 L | 重量 (kg) | 編號 | 形式 | 齒數 | 節距 徑 DP | 直徑 DO | 齒 厚 z | 孔徑範圍 d | 輪轂 直徑 DH | 總長 度 z | 重量 (kg) |
|-------------|-------|-------|------------|----------|----------|-----------|----------------|-----------|--------------|-------------|-------|----------|------------|----------|----------|-----------|----------------|-----------|--------------|
| RF 6205 | R | 6 | 304.8 | 330 | 28 | 40 - 95 | 140 | 115 | 25 | RF 12250 | F | 6 | 500.0 | 515 | 19 | 45 - 110 | 160 | 135 | 45 |
| | | 8 | 398.2 | 432 | | 40 - 100 | 150 | 125 | 39 | | | 50 - 120 | 180 | 150 | | 73 | | | |
| | | 10 | 493.2 | 528 | | 45 - 110 | 160 | 135 | 56 | | | 50 - 130 | 190 | 160 | | 106 | | | |
| | | 12 | 588.8 | 623 | | 50 - 120 | 180 | 150 | 81 | | | 55 - 145 | 210 | 180 | | 149 | | | |
| | F | 6 | 304.8 | 330 | 19 | 40 - 95 | 140 | 115 | 21 | | S | 6 | 500.0 | 521 | 28 | 45 - 110 | 160 | 135 | 59 |
| | | 8 | 398.2 | 432 | | 40 - 100 | 150 | 125 | 32 | | | 50 - 120 | 180 | 150 | | 88 | | | |
| | | 10 | 493.2 | 528 | | 45 - 110 | 160 | 135 | 45 | | | 50 - 130 | 190 | 160 | | 98 | | | |
| | | 12 | 588.8 | 623 | | 50 - 120 | 180 | 150 | 64 | | | 55 - 145 | 210 | 180 | | 143 | | | |
| | S | 6 | 304.8 | 325 | 28 | 40 - 95 | 140 | 115 | 27 | | R | 6 | 304.8 | 339 | 28 | 40 - 100 | 150 | 125 | 27 |
| | | 7 1/2 | 374.8 | 396 | | 40 - 100 | 150 | 125 | 35 | | | 45 - 110 | 160 | 135 | | 42 | | | |
| | | 8 | 398.2 | 419 | | 45 - 110 | 160 | 135 | 59 | | | 50 - 120 | 180 | 150 | | 63 | | | |
| | | 10 | 493.2 | 514 | | 50 - 120 | 180 | 150 | 86 | | | 50 - 130 | 190 | 160 | | 87 | | | |
| RF 12200 | R | 6 | 400.0 | 418 | 28 | 40 - 100 | 150 | 125 | 39 | RF 212 | S | 6 | 304.8 | 329 | 28 | 40 - 100 | 150 | 125 | 29 |
| | | 8 | 522.6 | 551 | | 45 - 110 | 160 | 135 | 61 | | | 45 - 110 | 160 | 135 | | 44 | | | |
| | | 10 | 647.2 | 682 | | 50 - 120 | 180 | 150 | 94 | | | 50 - 120 | 180 | 150 | | 66 | | | |
| | | 12 | 772.7 | 810 | | 50 - 130 | 190 | 160 | 129 | | | 50 - 130 | 190 | 160 | | 89 | | | |
| | F | 6 | 400.0 | 418 | 19 | 40 - 100 | 150 | 125 | 32 | | R | 6 | 400.0 | 426 | 40 | 45 - 110 | 160 | 135 | 51 |
| | | 8 | 522.6 | 551 | | 45 - 110 | 160 | 135 | 48 | | | 50 - 120 | 180 | 150 | | 86 | | | |
| | | 10 | 647.2 | 682 | | 50 - 120 | 180 | 150 | 73 | | | 50 - 130 | 190 | 160 | | 126 | | | |
| | | 12 | 772.7 | 810 | | 50 - 130 | 190 | 160 | 99 | | | 55 - 145 | 210 | 180 | | 179 | | | |
| | S | 6 | 400.0 | 421 | 28 | 40 - 100 | 150 | 125 | 41 | | F | 6 | 400.0 | 426 | 28 | 45 - 110 | 160 | 135 | 42 |
| | | 7 1/2 | 491.7 | 510 | | 45 - 110 | 160 | 135 | 56 | | | 50 - 120 | 180 | 150 | | 68 | | | |
| | | 8 | 522.6 | 544 | | 45 - 110 | 160 | 135 | 64 | | | 50 - 130 | 190 | 160 | | 98 | | | |
| | | 10 | 647.2 | 668 | | 50 - 120 | 180 | 150 | 97 | | | 55 - 145 | 210 | 180 | | 140 | | | |
| RF 12250 | R | 6 | 550.0 | 515 | 28 | 45 - 110 | 160 | 135 | 56 | RF 17200 | S | 6 | 400.0 | 424 | 40 | 45 - 110 | 160 | 135 | 55 |
| | | 8 | 653.3 | 680 | | 50 - 120 | 180 | 150 | 95 | | | 50 - 120 | 180 | 150 | | 77 | | | |
| | | 10 | 809.0 | 841 | | 50 - 130 | 190 | 160 | 141 | | | 50 - 120 | 180 | 150 | | 90 | | | |
| | | 12 | 965.9 | 1002 | | 55 - 145 | 210 | 180 | 198 | | | 50 - 130 | 190 | 160 | | 131 | | | |
| | S | 6 | 550.0 | 515 | 28 | 45 - 110 | 160 | 135 | 56 | | R | 6 | 400.0 | 426 | 28 | 45 - 110 | 160 | 135 | 42 |
| | | 7 1/2 | 491.7 | 510 | | 45 - 110 | 160 | 135 | 56 | | | 50 - 120 | 180 | 150 | | 68 | | | |
| | | 8 | 522.6 | 544 | | 45 - 110 | 160 | 135 | 64 | | | 50 - 130 | 190 | 160 | | 98 | | | |
| | | 10 | 647.2 | 668 | | 50 - 120 | 180 | 150 | 97 | | | 55 - 145 | 210 | 180 | | 140 | | | |
| | S | 6 | 550.0 | 515 | 28 | 45 - 110 | 160 | 135 | 56 | | F | 6 | 400.0 | 426 | 28 | 45 - 110 | 160 | 135 | 42 |
| | | 7 1/2 | 491.7 | 510 | | 45 - 110 | 160 | 135 | 56 | | | 50 - 120 | 180 | 150 | | 68 | | | |
| | | 8 | 522.6 | 544 | | 45 - 110 | 160 | 135 | 64 | | | 50 - 130 | 190 | 160 | | 98 | | | |
| | | 10 | 647.2 | 668 | | 50 - 120 | 180 | 150 | 97 | | | 55 - 145 | 210 | 180 | | 140 | | | |
| S | 6 | 550.0 | 515 | 28 | 45 - 110 | 160 | 135 | 56 | S | 6 | 400.0 | 424 | 40 | 45 - 110 | 160 | 135 | 55 | | |
| | 7 1/2 | 491.7 | 510 | | 45 - 110 | 160 | 135 | 56 | | 50 - 120 | 180 | 150 | | 77 | | | | | |
| | 8 | 522.6 | 547 | | 50 - 120 | 180 | 150 | 90 | | 50 - 120 | 180 | 150 | | 90 | | | | | |
| | 10 | 809.0 | 841 | | 50 - 130 | 190 | 160 | 141 | | 50 - 130 | 190 | 160 | | 131 | | | | | |
| S | 6 | 550.0 | 515 | 28 | 45 - 110 | 160 | 135 | 56 | S | 12 | 772.7 | 797 | 40 | 55 - 145 | 210 | 180 | 185 | | |
| | 7 1/2 | 491.7 | 516 | | 50 - 120 | 180 | 150 | 95 | | 55 - 145 | 210 | 180 | | 187 | | | | | |
| | 8 | 522.6 | 547 | | 50 - 120 | 180 | 150 | 95 | | 55 - 145 | 210 | 180 | | 187 | | | | | |
| | 10 | 809.0 | 841 | | 50 - 130 | 190 | 160 | 141 | | 55 - 145 | 210 | 180 | | 187 | | | | | |



A TYPE



B TYPE



CW TYPE

| 編號 | 形式 | 齒數 | 節距徑 DP | 直徑 DO | 齒厚 z | 孔徑範圍 d | 輪殼直徑 DH | 總長度 L | 重量 (kg) | 編號 | 形式 | 齒數 | 節距徑 DP | 直徑 DO | 齒厚 z | 孔徑範圍 d | 輪殼直徑 DH | 總長度 L | 重量 (kg) |
|----------|--------|--------|----------|----------|----------|----------|---------|-------|---------|----------|-------|----------|--------|----------|------|----------|---------|-------|---------|
| RF 17250 | R | 6 | 500.0 | 522 | 40 | 50 - 120 | 180 | 150 | 79 | RF 26250 | F | 6 | 500.0 | 535 | 32 | 50 - 130 | 190 | 160 | 75 |
| | | 8 | 653.3 | 689 | | 50 - 130 | 190 | 160 | 128 | | | 55 - 145 | 210 | 180 | | 130 | | | |
| | | 10 | 809.0 | 850 | | 55 - 145 | 210 | 180 | 193 | | | 55 - 145 | 210 | 180 | | 170 | | | |
| | | 12 | 965.9 | 1012 | | 55 - 145 | 210 | 180 | 262 | | | 55 - 150 | 230 | 200 | | 240 | | | |
| | F | 6 | 500.0 | 522 | 28 | 50 - 120 | 180 | 150 | 64 | | S | 6 | 500.0 | 527 | 45 | 50 - 130 | 190 | 160 | 100 |
| | | 8 | 653.3 | 689 | | 50 - 130 | 190 | 160 | 100 | | | 55 - 145 | 210 | 180 | | 170 | | | |
| | | 10 | 809.0 | 850 | | 55 - 145 | 210 | 180 | 150 | | | 55 - 145 | 210 | 180 | | 230 | | | |
| | | 12 | 965.9 | 1012 | | 55 - 145 | 210 | 180 | 198 | | | 55 - 150 | 230 | 200 | | 320 | | | |
| | S | 6 | 500.0 | 524 | 40 | 50 - 120 | 180 | 150 | 83 | | R | 6 | 600.0 | 631 | 45 | 50 - 130 | 190 | 160 | 120 |
| | | 7 1/2 | 614.6 | 637 | | 50 - 130 | 190 | 160 | 118 | | | 55 - 145 | 210 | 180 | | 210 | | | |
| | | 8 | 653.3 | 677 | | 50 - 130 | 190 | 160 | 133 | | | 55 - 160 | 230 | 200 | | 310 | | | |
| | | 10 | 809.0 | 833 | | 55 - 145 | 210 | 180 | 199 | | | 65 - 170 | 250 | 220 | | 440 | | | |
| 12 | | 965.9 | 990 | 55 - 145 | | 210 | 180 | 268 | | | | | | | | | | | |
| 12 1/2 | 1005.3 | 1029 | 55 - 145 | 210 | 180 | 285 | | | | | | | | | | | | | |
| RF 17300 | R | 6 | 600.0 | 619 | 40 | 50 - 130 | 190 | 160 | 109 | RF 26300 | S | 6 | 600.0 | 627 | 45 | 50 - 130 | 190 | 160 | 130 |
| | | 8 | 783.9 | 816 | | 55 - 145 | 210 | 180 | 186 | | | 55 - 145 | 210 | 180 | | 220 | | | |
| | | 10 | 970.8 | 1010 | | 55 - 145 | 210 | 180 | 268 | | | 55 - 160 | 230 | 200 | | 320 | | | |
| | | 12 | 1159.1 | 1204 | | 55 - 160 | 230 | 200 | 384 | | | 65 - 170 | 250 | 220 | | 450 | | | |
| | F | 6 | 600.0 | 619 | 28 | 50 - 130 | 190 | 160 | 87 | | R | 6 | 600.0 | 648 | 55 | 55 - 160 | 230 | 200 | 160 |
| | | 8 | 783.9 | 816 | | 55 - 145 | 210 | 180 | 145 | | | 65 - 175 | 250 | 220 | | 270 | | | |
| | | 10 | 970.8 | 1010 | | 55 - 145 | 210 | 180 | 203 | | | 75 - 190 | 270 | 240 | | 400 | | | |
| | | 12 | 1159.1 | 1204 | | 55 - 160 | 230 | 200 | 288 | | | 85 - 210 | 300 | 260 | | 560 | | | |
| | S | 6 | 600.0 | 624 | 40 | 50 - 130 | 190 | 160 | 115 | | F | 6 | 600.0 | 648 | 36 | 55 - 160 | 230 | 200 | 130 |
| | | 7 1/2 | 737.6 | 749 | | 55 - 145 | 210 | 180 | 169 | | | 65 - 175 | 250 | 220 | | 210 | | | |
| | | 8 | 783.9 | 808 | | 55 - 145 | 210 | 180 | 188 | | | 75 - 190 | 270 | 240 | | 300 | | | |
| | | 10 | 970.8 | 995 | | 55 - 145 | 210 | 180 | 272 | | | 85 - 210 | 300 | 260 | | 410 | | | |
| 12 | | 1159.1 | 1183 | 55 - 160 | | 230 | 200 | 388 | | | | | | | | | | | |
| 12 1/2 | 1206.3 | 1230 | 55 - 160 | 230 | 200 | 409 | | | | | | | | | | | | | |
| R | 6 | 500.0 | 535 | 45 | 50 - 130 | 190 | 160 | 95 | S | 6 | 600.0 | 631 | 55 | 55 - 160 | 230 | 200 | 180 | | |
| | 8 | 653.3 | 703 | | 55 - 145 | 210 | 180 | 160 | | 65 - 175 | 250 | 220 | | 280 | | | | | |
| | 10 | 809.0 | 864 | | 55 - 145 | 210 | 180 | 220 | | 75 - 190 | 270 | 240 | | 420 | | | | | |
| | 12 | 965.9 | 1026 | | 55 - 150 | 230 | 200 | 310 | | 85 - 210 | 300 | 260 | | 580 | | | | | |